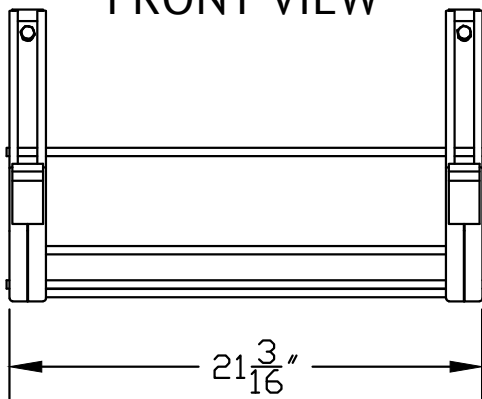
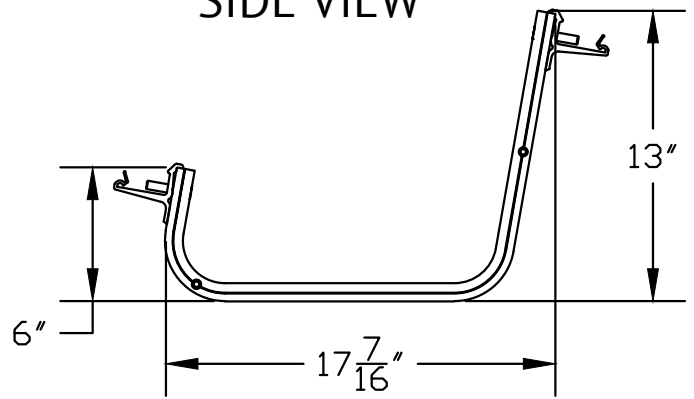


FRONT VIEW



SIDE VIEW



UNIRAC
A HILTI GROUP COMPANY

1411 BROADWAY BLVD NE
ALBUQUERQUE, NM 87102 USA

WWW.UNIRAC.COM

PRODUCT LINE:	RM
DRAWING TYPE:	COMPONENT ASSEMBLY
DESCRIPTION:	BAY & MODULE CLIPS
REVISION DATE:	MARCH - 2014

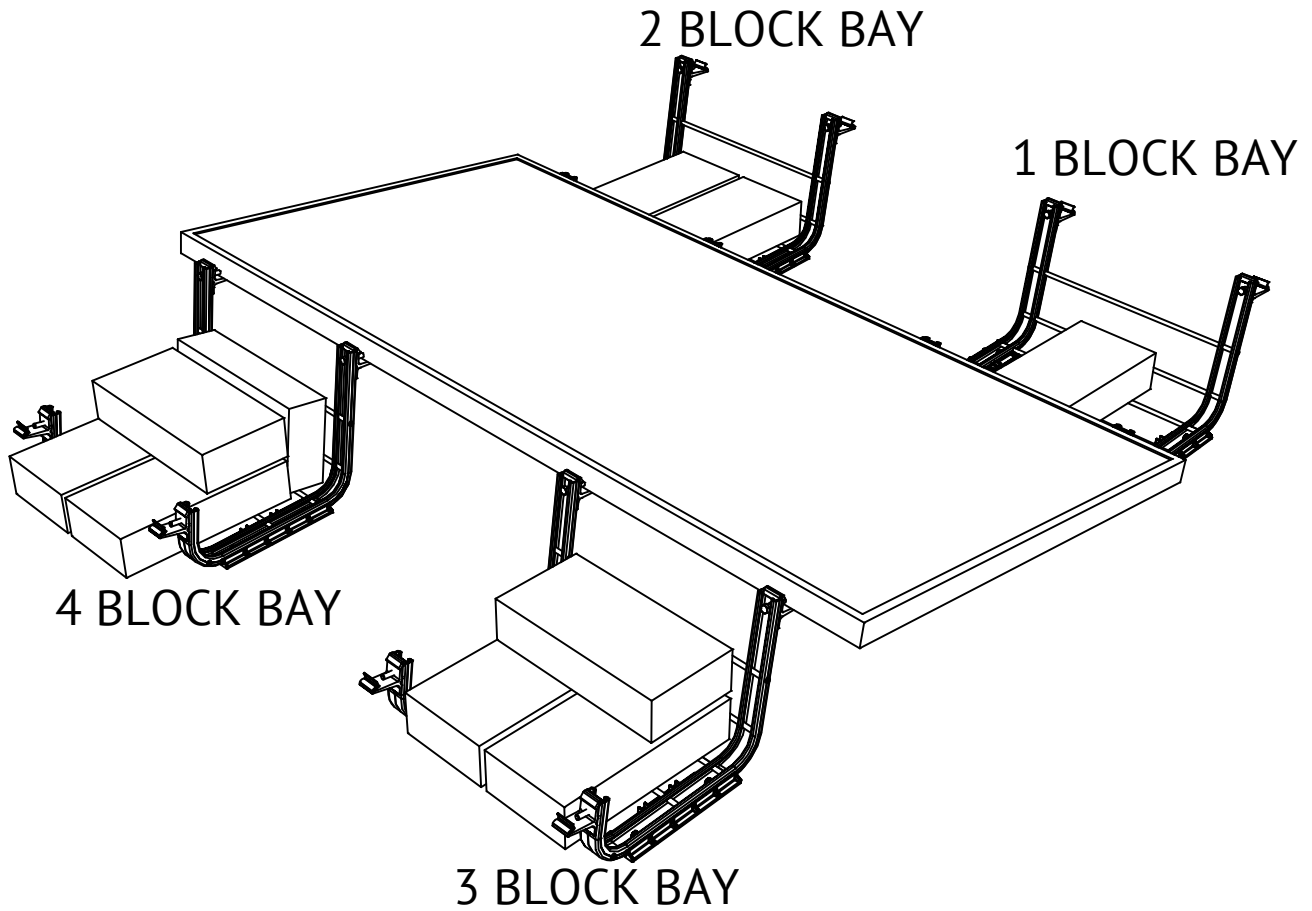
DRAWING NOT TO SCALE
ALL DIMENSIONS ARE NOMINAL

PRODUCT PROTECTED BY ONE
OR MORE US PATENTS

LEGAL NOTICE

RM-A01

SHEET



A HILTI GROUP COMPANY

1411 BROADWAY BLVD NE
ALBUQUERQUE, NM 87102 USA

WWW.UNIRAC.COM

PRODUCT LINE:	RM
DRAWING TYPE:	ASSEMBLY
DESCRIPTION:	1-2-3-4 BLOCK RM BAYS
REVISION DATE:	March - 2014

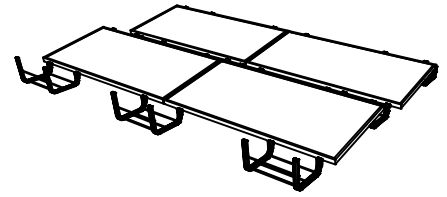
DRAWING NOT TO SCALE
ALL DIMENSIONS ARE NOMINAL

PRODUCT PROTECTED BY ONE
OR MORE US PATENTS

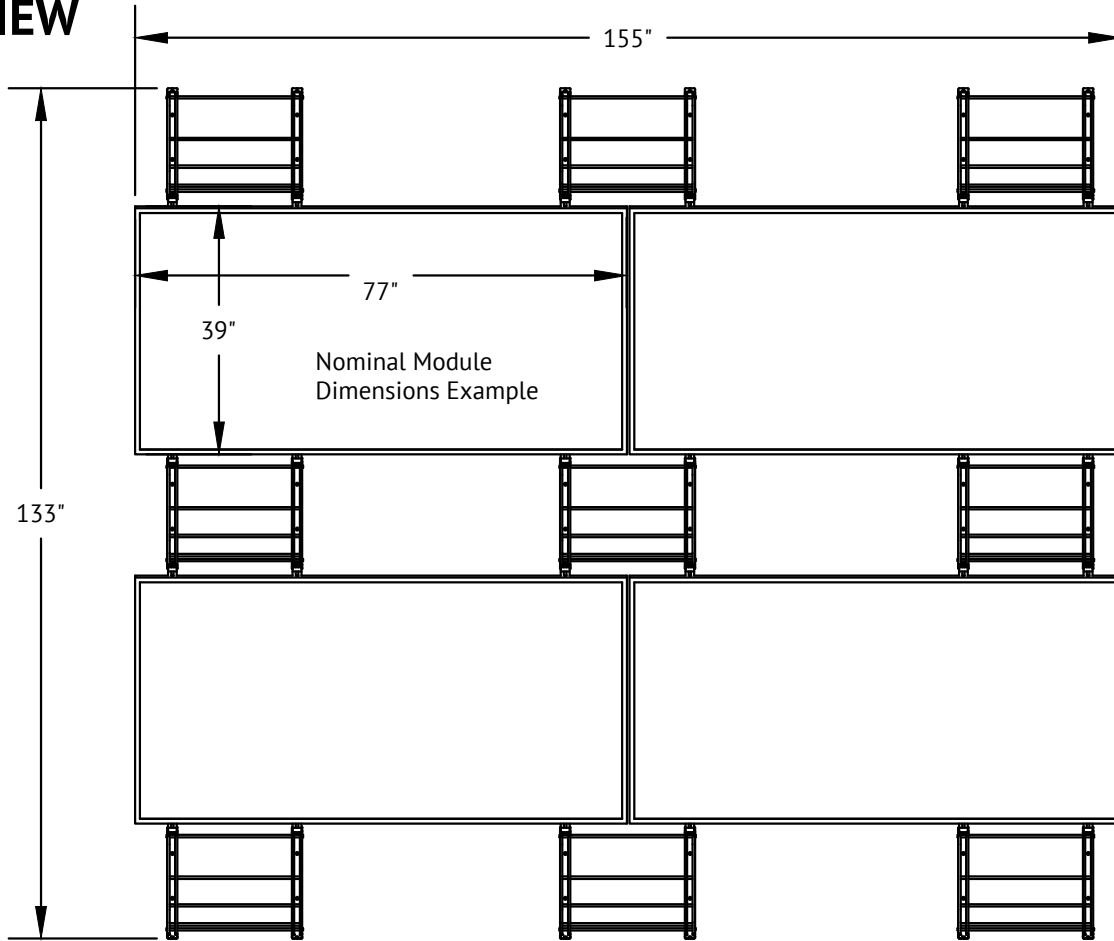
LEGAL NOTICE

RM-A02
SHEET

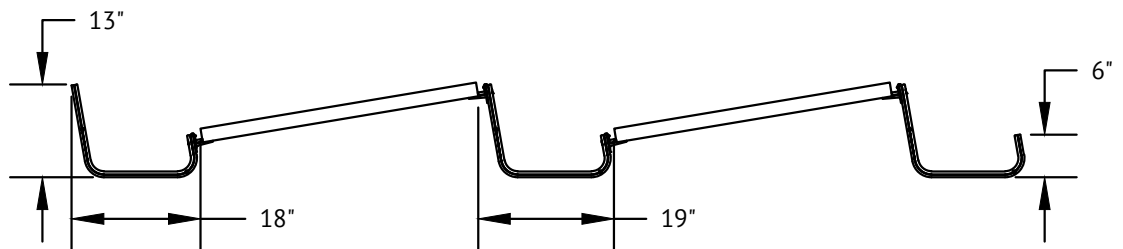
NOTE: ARRAY DIMENSIONS WILL VARY BASED ON
MODULE WIDTH, LENGTH AND RETURN FLANGE



TOP VIEW



SIDE VIEW



1411 BROADWAY BLVD NE
ALBUQUERQUE, NM 87102 USA

WWW.UNIRAC.COM

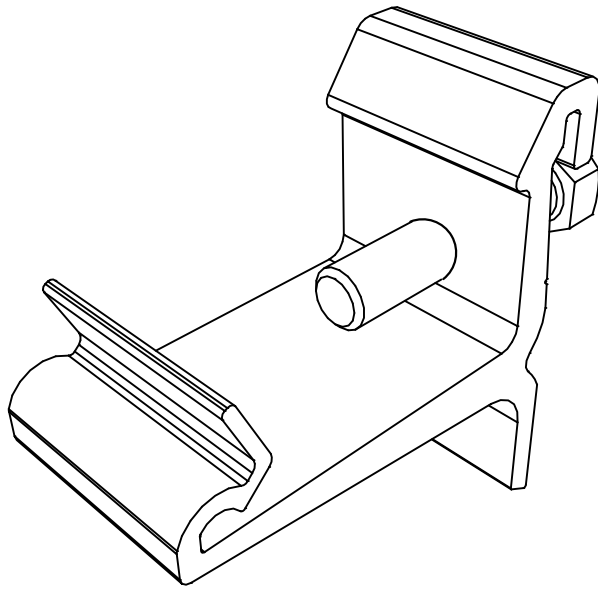
PRODUCT LINE:	RM
DRAWING TYPE:	ASSEMBLY
DESCRIPTION:	4 MODULE RM LAYOUT
REVISION DATE:	MAY - 2014

DRAWING NOT TO SCALE
ALL DIMENSIONS ARE NOMINAL

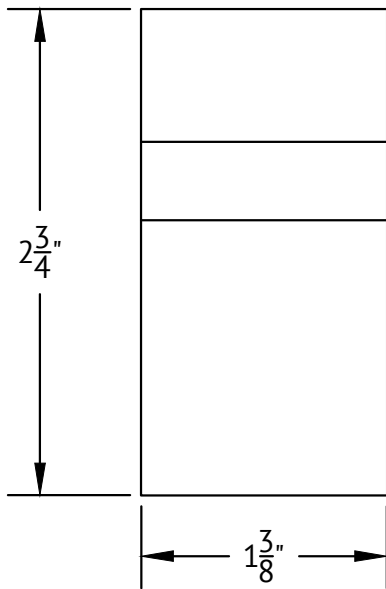
PRODUCT PROTECTED BY ONE
OR MORE US PATENTS

LEGAL NOTICE

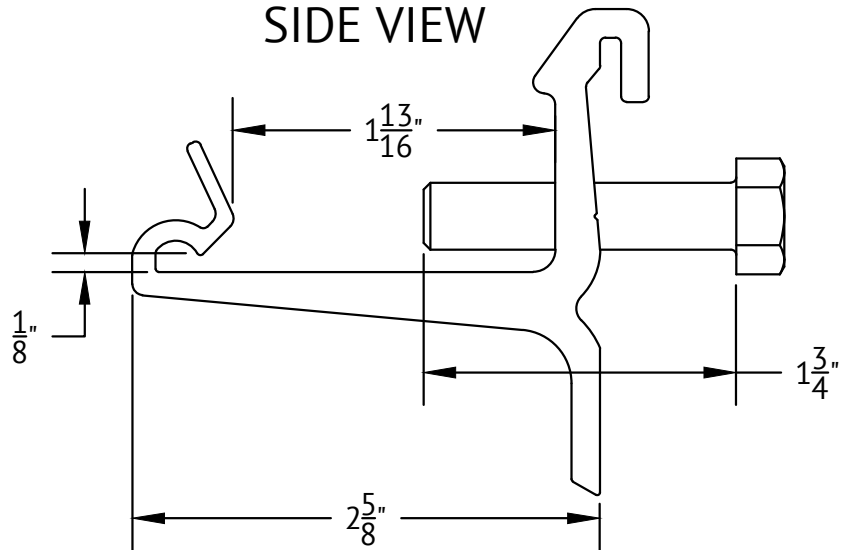
RM-A03
SHEET



FRONT VIEW



SIDE VIEW



UNIRAC
A HILTI GROUP COMPANY

1411 BROADWAY BLVD NE
ALBUQUERQUE, NM 87102 USA

WWW.UNIRAC.COM

PRODUCT LINE:	RM
DRAWING TYPE:	PART
DESCRIPTION:	RM CLIP & BOLT
REVISION DATE:	MARCH - 2014

DRAWING NOT TO SCALE
ALL DIMENSIONS ARE NOMINAL

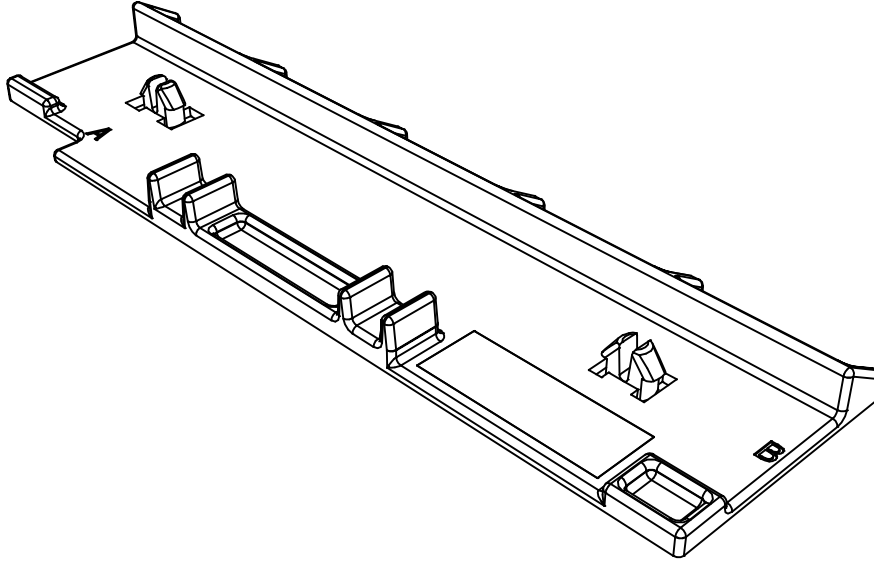
PRODUCT PROTECTED BY ONE
OR MORE US PATENTS

LEGAL NOTICE

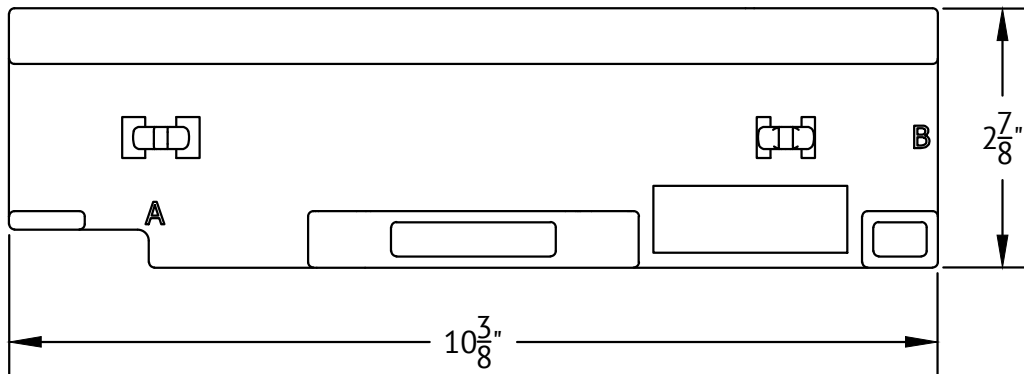
RM-P01

SHEET

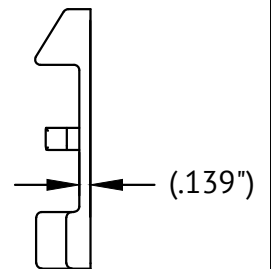
Material: TPE 70 Shore A: Santoprene 201-73,
 Elastocon 2870 or Unisoft TPE ST-70A BK-2-01.
 Color: Black



TOP VIEW



SIDE VIEW



1411 BROADWAY BLVD NE
 ALBUQUERQUE, NM 87102 USA

WWW.UNIRAC.COM

PRODUCT LINE:	RM
DRAWING TYPE:	PART
DESCRIPTION:	RM FOOT PAD
REVISION DATE:	MARCH - 2014

DRAWING NOT TO SCALE
 ALL DIMENSIONS ARE NOMINAL

PRODUCT PROTECTED BY ONE
 OR MORE US PATENTS

LEGAL NOTICE

RM-P02
 SHEET